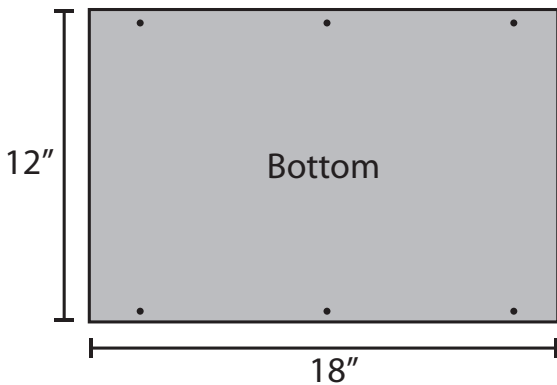
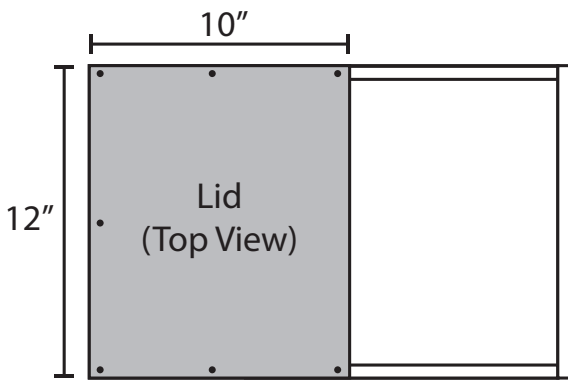
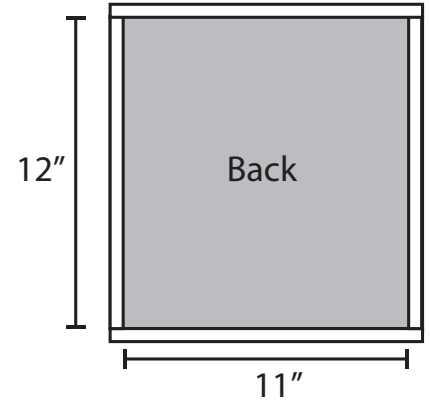
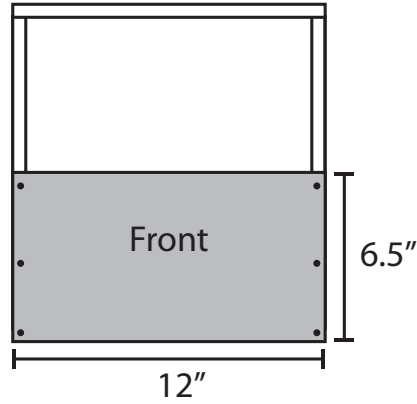
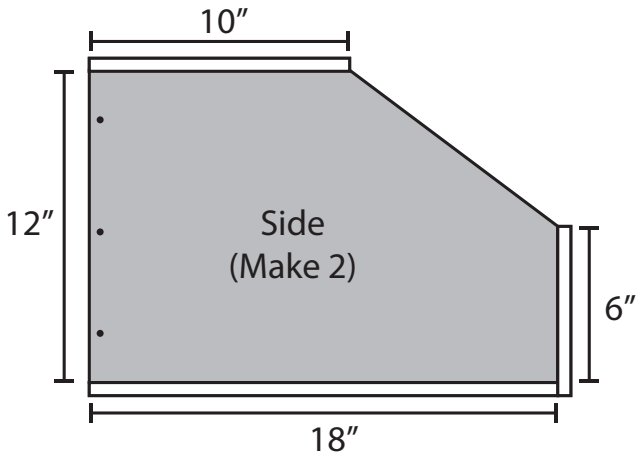


Nest box plans for Californian / New Zealand

Uses 1/2" thick wood | DO NOT USE TREATED LUMBER

Double check your cage door openings to make sure the nest box will fit.
You may need to alter the size slightly.



Optional False Bottom

Some people will add a false bottom to keep the kits at the back of the nest box.

Drill a finger hole in one end to make removal of the false bottom easier

10.75" x 18.25" ○

This section contains a diagram of a false bottom, which is a thin, angled piece of wood that fits inside the nest box. An arrow points to it with the label "False Bottom". Below the diagram is a rectangular box with the dimensions "10.75" x 18.25" and a small circle symbol. To the right of the diagram is text explaining the purpose of the false bottom and how to remove it.